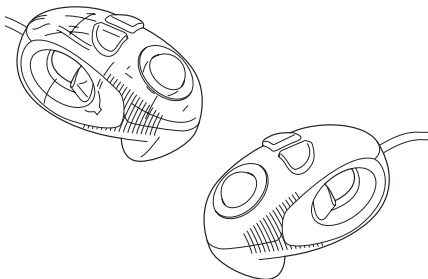


### INTRODUCTION:

The "Micro Trac" is a revolutionary computer accessory product. It is designed to allow the user to perform mouse functions without being limited by the space required to operate a standard input device.



### HARDWARE REQUIRMENTS:

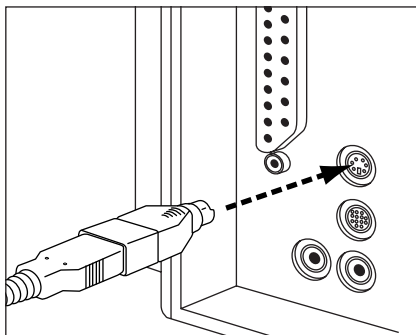
The Fellowes Micro Trac requires a PC-compatible computer with a PS/2 or USB port.

### SOFTWARE REQUIRMENTS:

The Fellowes Micro Trac is a plug and play device that requires no additional software. The device will function with the following operating systems: Windows 95/98/2000/ME/XP or NT 4.0. See [www.fellowes.com](http://www.fellowes.com) for the latest information regarding this product.

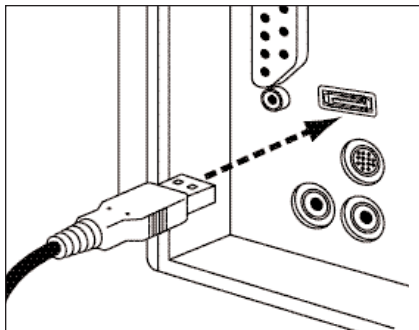
### GETTING CONNECTED:

1. For installation on a PS/2 mouse port:
  - a. Turn off the power to your computer
  - b. Attach the 6-pin connector to the PS/2 port



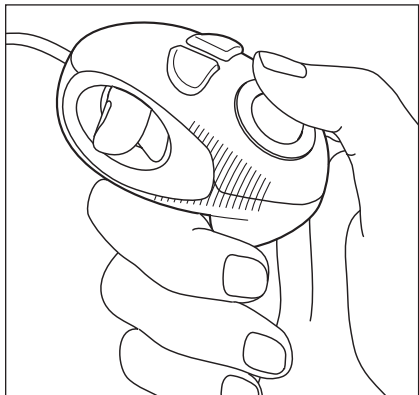
- c. Turn on the power to your computer
  - d. Follow the instruction on your computer, the correct driver will be automatically installed
2. For installation on a USB port: (Windows 98 or higher required)
    - a. Plug the Micro Trac cable into an open USB port or external USB hub (if applicable). It is not necessary to turn off your computer for this operation.

b. USB connection supports “plug and play”, the correct driver will be installed automatically



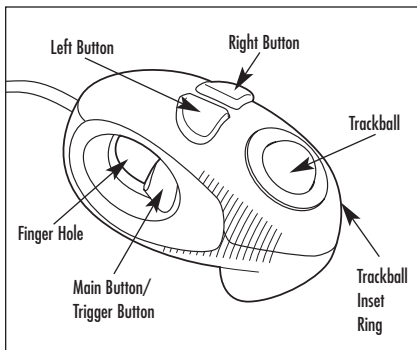
## GETTING STARTED:

1. Put your index or middle finger into the hole of the mouse. Use your thumb to control the trackball for moving the cursor and to press the right and left buttons.



2. The *main button or trigger button* is the Micro Trac enter key and allows for the placement of the cursor in order to perform functions such as drag and highlight. (Same as the left button on a standard mouse)

3. The right button when pushed will bring up a basic menu. (Same as the right button on a standard mouse)
4. Your Micro Trac features a 3D scrolling function that allows the user to scroll through large documents or web pages. Press the left button to lock the screen, then move the trackball forward and back to roll the screen freely. Press the left button again to disengage the scrolling function.



## TROUBLESHOOTING:

The Fellowes Micro Trac should work right away when connected to your computer. If you have trouble:

1. Check all connections to be sure they are secured to the correct ports, and then restart the computer.
2. Make sure the PS/2 mouse port has the proper configuration. Refer to your computer documentations for the correct port configuration. You may also have other system devices that conflict with the mouse. Check the IRQ/address settings of these devices for conflicts, and change the settings as required.

3. Make sure that the BIOS setting on the connected port of your computer shows Enable. Refer to your computer documentation for the correct port configuration.
4. The cursor / trackball does not move smoothly  
Remove the Trackball inset ring. Take out the trackball. Wipe the ball and the rollers with a clean, lint-free cloth. Reinstall the trackball and inset ring.
5. The cursor moves only a small distance when the Trackball is moved

Open the "Control Panel" from "My Computer". Select the mouse icon and proceed to the "Motion" tab, within the motion tab adjust the "Pointer Speed" and/or "Acceleration" to a faster level.

## **FELLOWES CUSTOMER SERVICE:**

Our technical support representatives are readily available to help you with your problems. We will do our best to resolve the issue, or we will offer you full support in your decision to obtain a refund (please keep a copy of your dated sales receipt as proof of purchase).

For technical support call **1-888-FEL-TECH** or email at: [www.feltech@fellowes.com](mailto:www.feltech@fellowes.com). For questions about the warranty or functionality of this product, call **1-800-945-4545** or email [www.fellowes.com](http://www.fellowes.com).

## **FEDERAL COMMUNICATIONS COMMISSION (FCC) NOTICE:**

This device complies with Part 15 of the FCC Rules. Operation is subject to the following two conditions:

1. This device may not cause harmful interference
2. This device must accept any interference received, including interference that may cause undesired operation

This equipment has been tested and found to comply with the limits of a Class B digital device, pursuant to Part 15 of the FCC Rules. These limits are designed to provide reasonable protection against harmful interference in a residential installation. This equipment generates, uses and can radiate radio frequency energy and, if not installed and used in accordance with the instructions, may cause harmful interference to radio communications. However, there is no guarantee that interference will not occur in particular installations, which can be determined by turning the equipment off and on, the user is encouraged to try to correct the interference by one or more of the following measures:

1. Reorient / Relocate the receiving antenna
2. Increase the separation between the equipment and receiver
3. Connect the equipment into an outlet on a circuit different from that the receiver is connected.
4. Consult the dealer or an experienced radio / TV technician for help.

## **CAUTION:**

Changes or modifications not expressly approved by the manufacturer responsible for compliance could void the user's authority to operate the equipment.

## **DISCLAIMER:**

The following does not apply to any country where such provisions are inconsistent with the local law:

Fellowes Inc. makes no warranties with respect to this documentation, whether expressed or implied. All material is provided "as is". This includes, but is not limited to, any implied warranties of merchantability and fitness for a particular purpose. The information covered in this document is subject to change without notice. Fellowes Inc. assumes no responsibility for any errors that may appear in this document.

All brand names mentioned in this manual are trademarks or registered trademarks of their respective companies.

Copyright 2001 Fellowes Inc. All rights reserved.

## **LIMITED WARRANTY:**

Fellowes Inc. warrants this Micro Trac to be free from defects in material and workmanship for a period of three years from the date of purchase by the original consumer. If any part is found to be defective during the warrant period, your sole and exclusive remedy will be repair or replacement, at Fellowes' option and expense, of the defective part.

This warranty does not apply in cases of abuse, mishandling or unauthorized repair. ANY IMPLIED WARRANTY, INCLUDING THAT OF MERCHANTABILITY OR FITNESS FOR A PARTICULAR PURPOSE, IS HEREBY LIMITED IN DURATION TO THE APPROPRIATE WARRANTY PERIOD SET FORTH ABOVE. In no event shall Fellowes be liable for any consequential or incidental damages attributable to this product. This warranty gives you specific legal rights. You may have other legal rights which vary from state to state.

To obtain service under this warranty on products purchased in the USA, return the machine prepaid to the address found in the Operating Instructions. Please allow two weeks for processing. Return with product:

- Copy of original sales receipt
- A card stating your name, address, daytime telephone number, product model and serial number, plus a brief description of the problem

For specific instructions on obtaining service under this warranty on products purchased outside the USA, contact the appropriate listed on the back of the Operating Instructions.

Warrantor: Fellowes Manufacturing Company