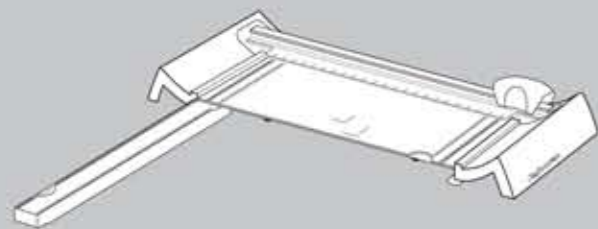


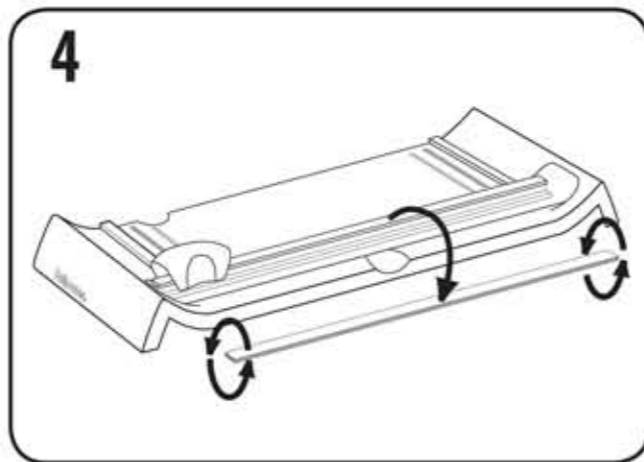
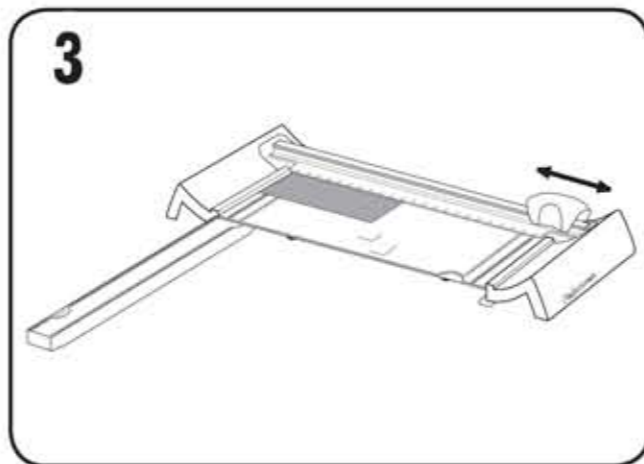
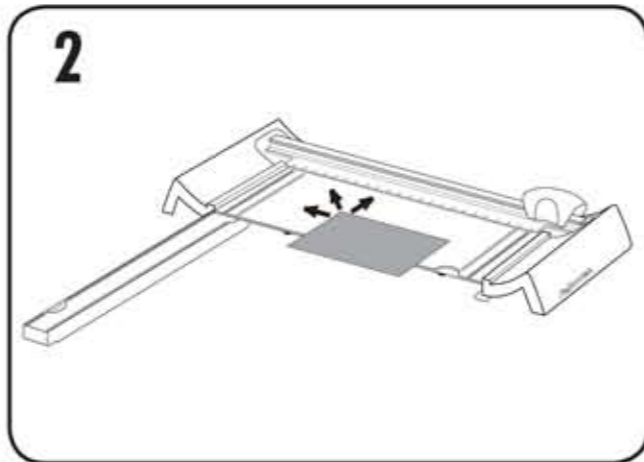
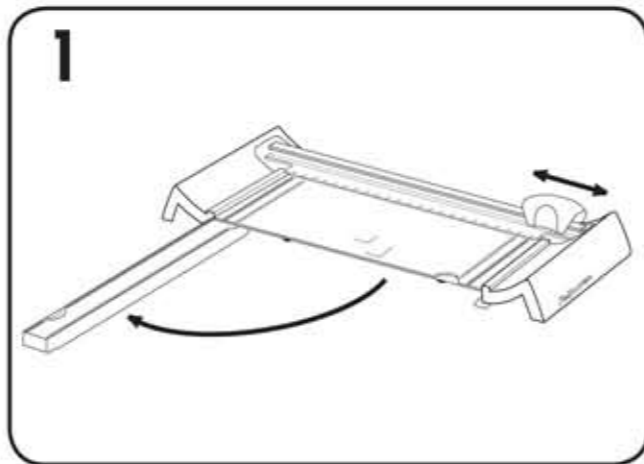
Neutrino™ SafeCut Photo Trimmer



E Please read these instructions before use.

F Veuillez lire ces instructions avant l'utilisation.

S Lea estas instrucciones antes del uso.



ENGLISH **E**

Capabilities



Caution

- Blades are extremely sharp.
- Always supervise children during use.
- Do not overload trimmer.
- Do not touch cutting blade and cutting edge of trimmer.
- Keep pets away from trimmer while in use.
- Do not open or attempt to repair, as this will void your warranty. Contact Customer Service.

Operation

1. Pull cutting carriage to one end.
2. Place item onto cutting table. Align paper with markings on the base of the trimmer.
3. Push or pull carriage handle along rail to trim item to end position to release clamping mechanism again.
4. Turn cutting strip over to use both sides.

Need Help?

Let our experts help you with a solution. See back cover for useful telephone numbers.

Customer Service: www.fellowes.com

Worldwide warranty

Fellowes warrants all parts of the trimmer to be free of defects in material and workmanship for 1 year from the date of purchase by the original consumer. If any part is found to be defective during warranty period, your sole and exclusive remedy will be repair or replacement, at Fellowes' option and expense, of the defective part. This warranty does not apply in cases of abuse, mishandling or unauthorized repair. Any implied warranty, including that of merchantability or fitness for particular purpose, is hereby limited in duration to the appropriate warranty period set forth above. In no event shall Fellowes be liable for any consequential damages attributable to this product. This warranty gives you specific legal rights. You may have other legal rights that vary from this warranty. The duration, terms and conditions of this warranty are valid worldwide, except where different limitations, restrictions or conditions may be required by local law. For more details or to obtain services under this warranty, please contact Fellowes or your dealer.

Useful Phone Numbers

Fellowes

| | |
|-------------------|-----------------------|
| Australia | +61-3-8336-9700 |
| Benelux | +31-(0)-76-523-2090 |
| Canada | +1-905-475-6320 |
| Deutschland | +49-(0)-5131-49770 |
| España / Portugal | +34 902 33 55 69 |
| France | +33-(0)-1-78-64-91-00 |
| Italia | +39-71-730041 |
| Japan | +81-(0)-3-5496-2401 |
| Korea | +82-(0)-2-3462-2844 |
| Malaysia | +60-(0)-35122-1231 |
| Polska | +48-(22)-771-47-40 |
| Russia | +7-(495)-228-14-03 |
| Singapore | +65-6221-3811 |
| United Kingdom | +44-(0)-1302-836836 |
| United States | +1-630-893-1600 |

Fellowes Inc

1789 Norwood Avenue, Itasca,
Illinois 60143-1095. USA. +1-630-893-1600